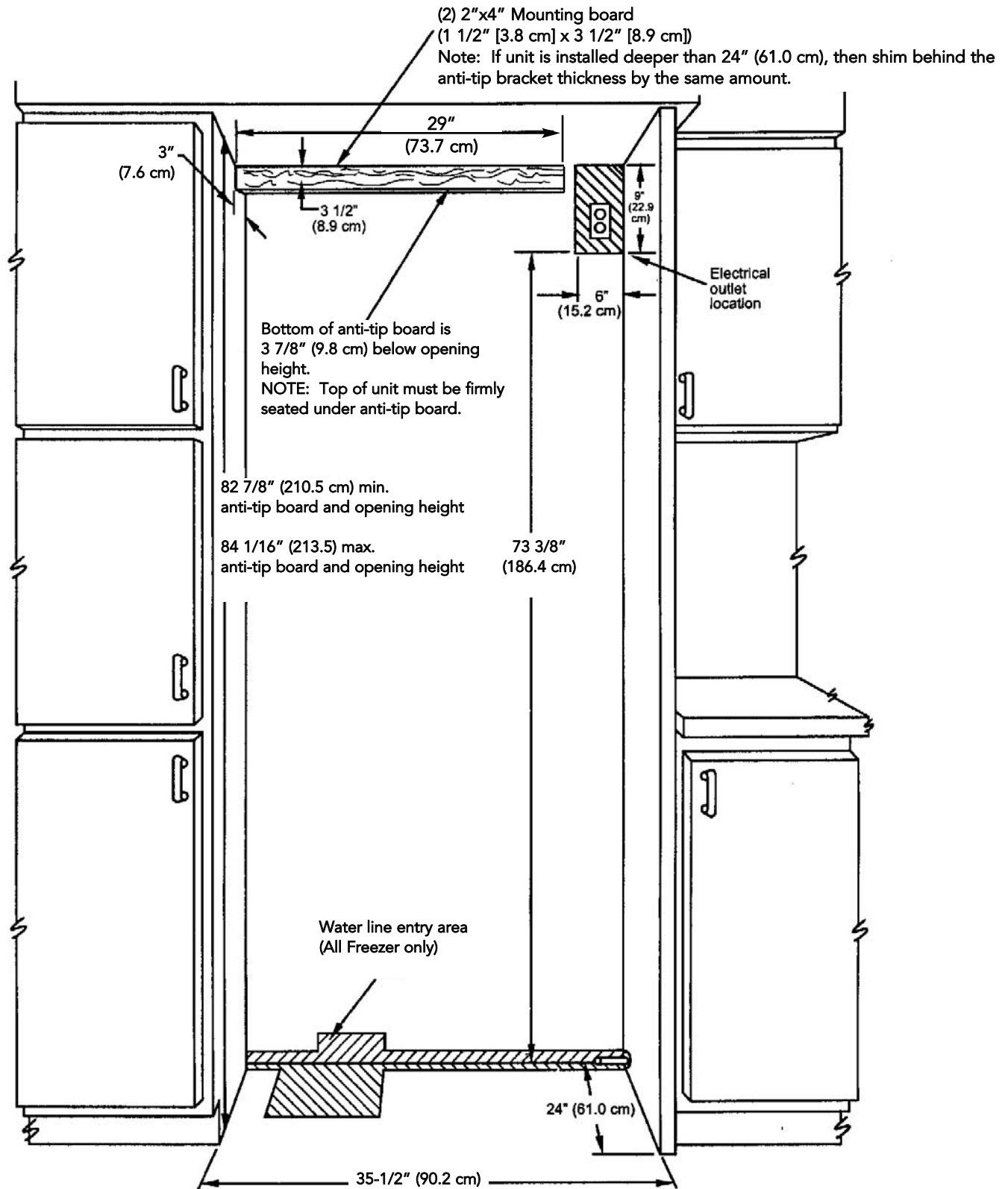
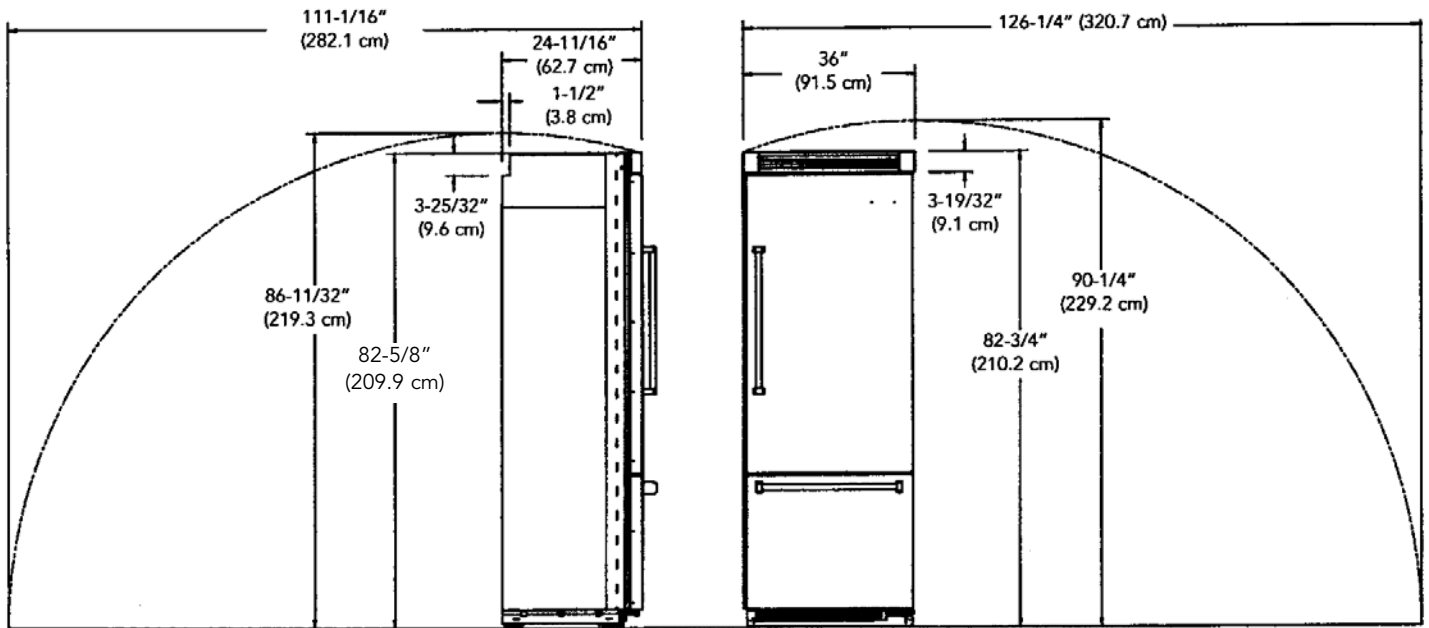


SITE PREPARATIONS AND CONSIDERATIONS PROFESSIONAL MODEL BOTTOM MOUNT REFRIGERATOR/FREEZER CABINET OPENING DIMENSIONS

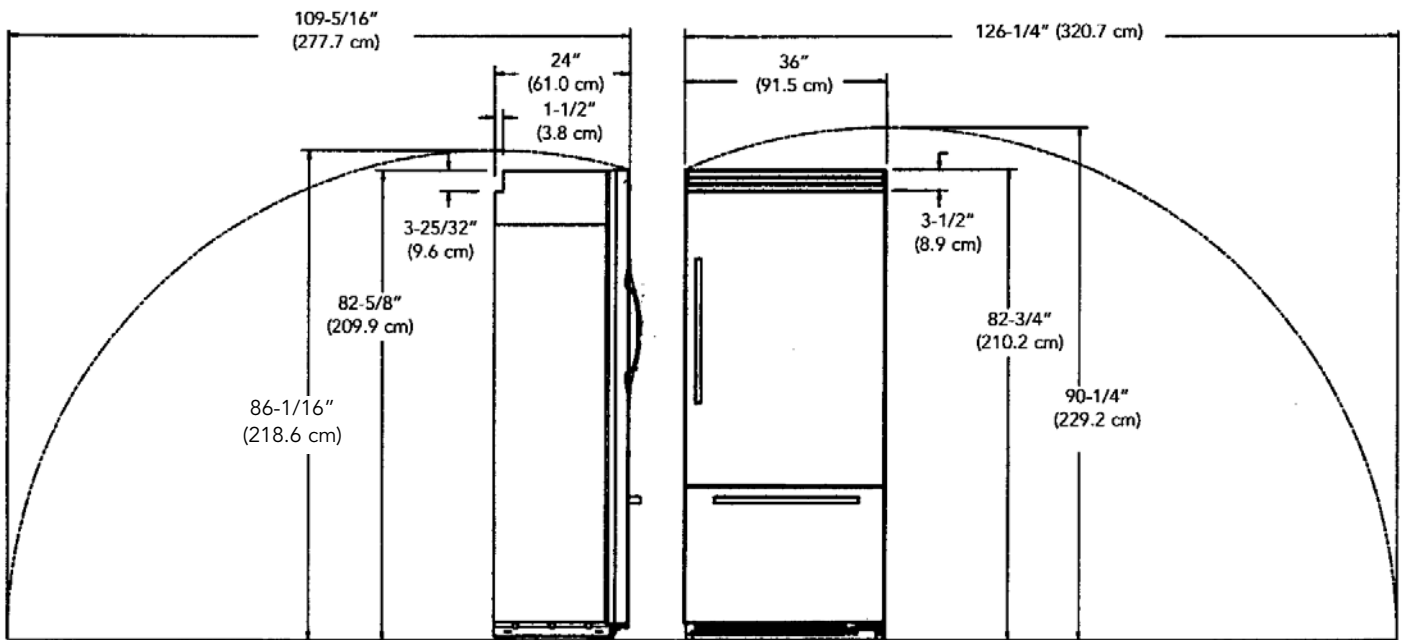


TIPPING CONSIDERATIONS

PROFESSIONAL MODELS

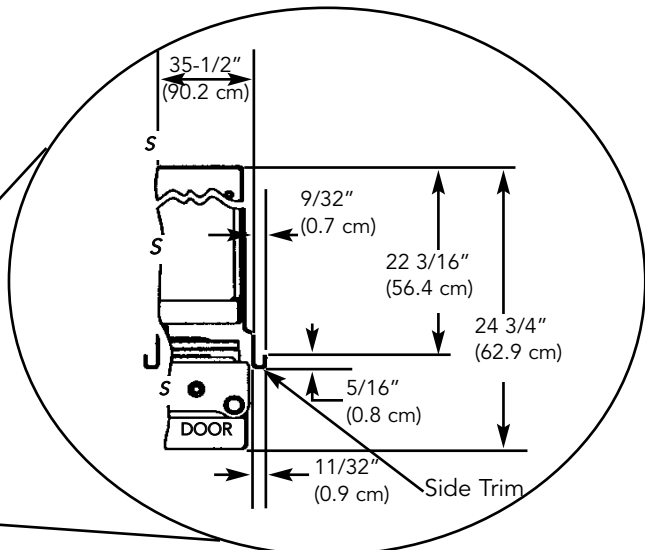
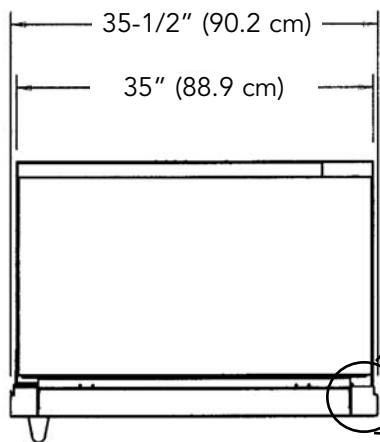


DESIGNER AND FULL OVERLAY MODELS

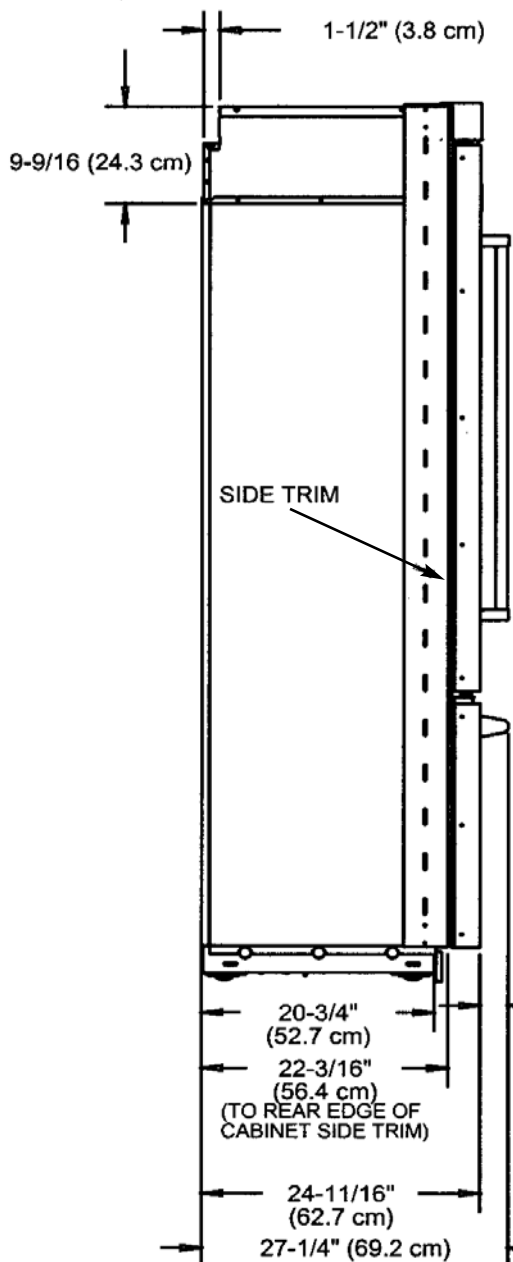


BOTTOM MOUNT REFRIGERATOR OVERALL DIMENSIONS PROFESSIONAL MODEL

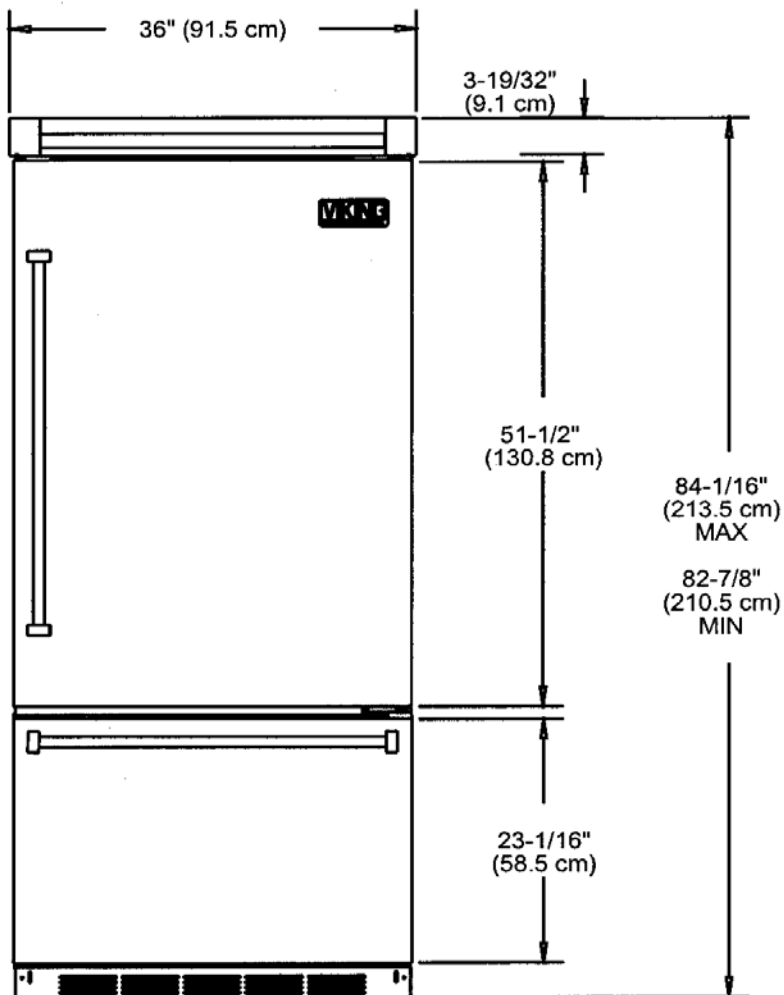
TOP



SIDE



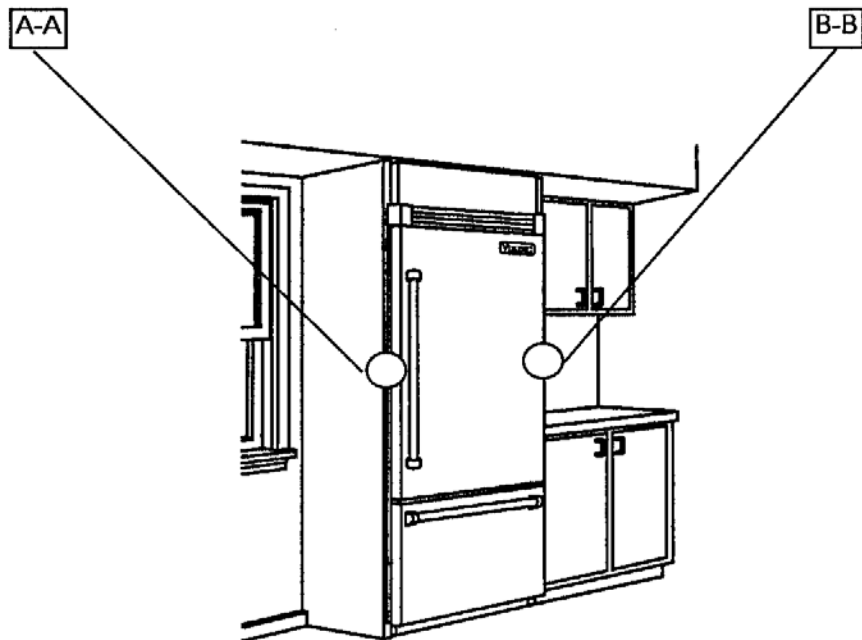
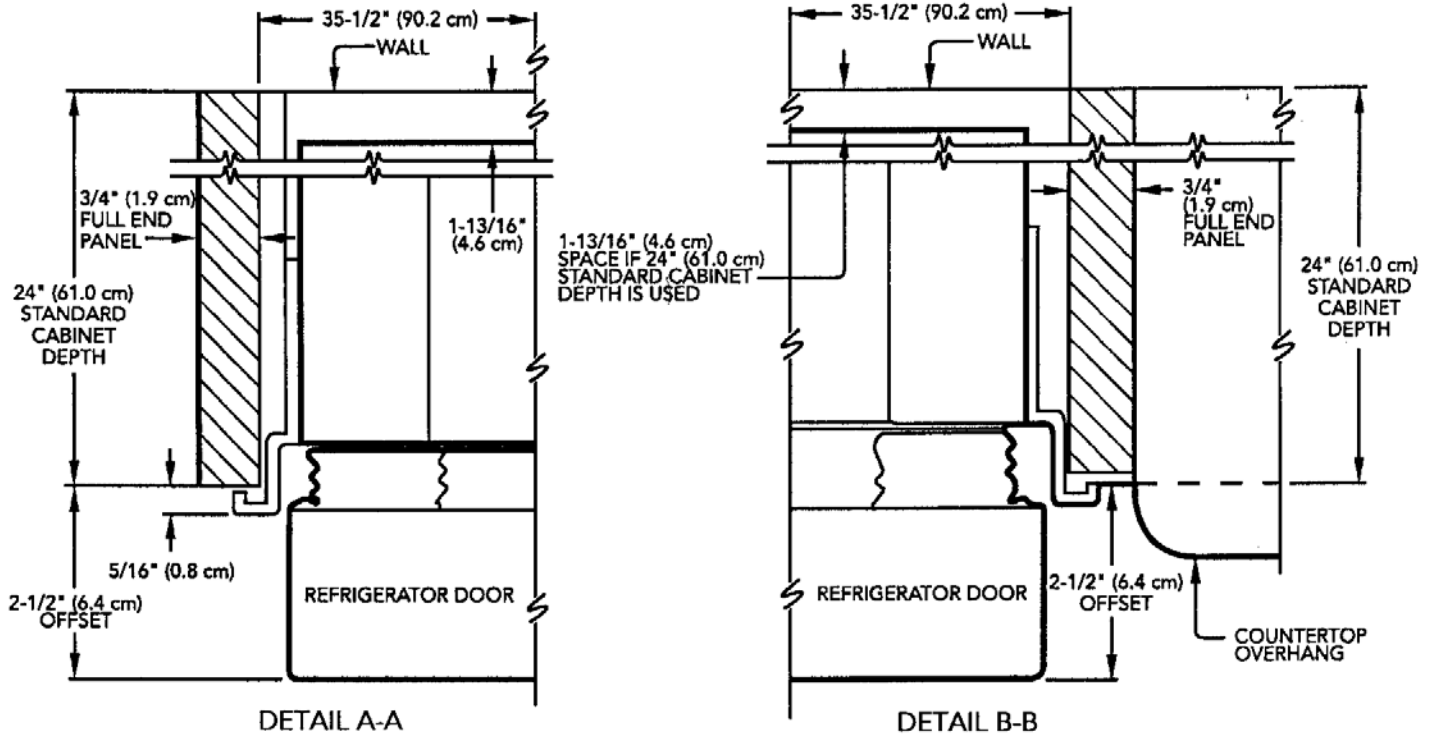
FRONT



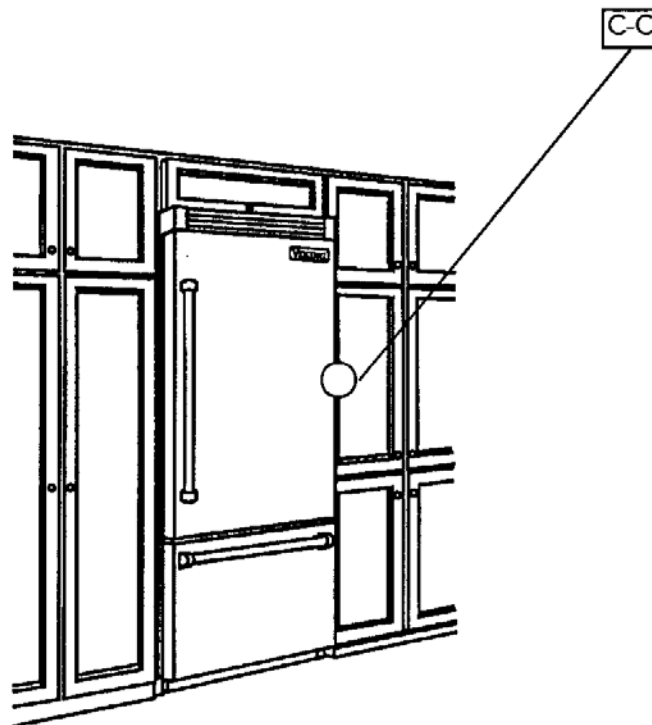
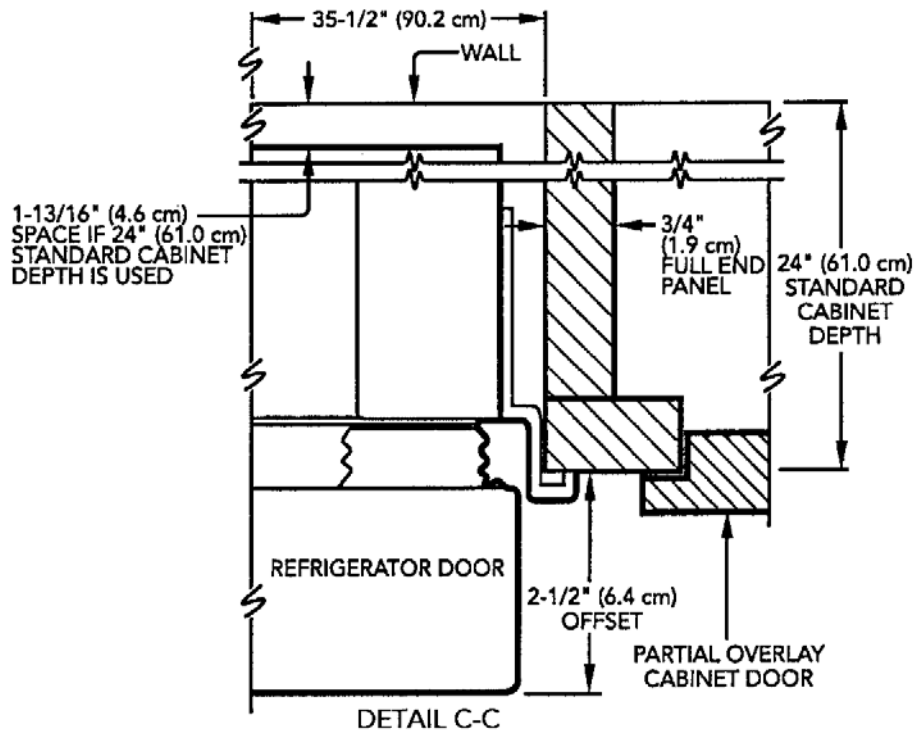
2-1/2" (6.4 cm)

CABINET INFORMATION - PROFESSIONAL MODELS

Professional models fit "semi-flush" in standard 24" (61.0 cm) deep cabinet openings. The door face protrudes 2-1/2" (6.4 cm) from the cabinet face. The handle protrudes an additional 2-1/2" (6.4 cm) into the room



CABINET INFORMATION - PROFESSIONAL MODELS (Cont'd)



CUSTOM SIDE PANEL DIMENSIONS - PROFESSIONAL MODELS

FOR 3/4" (1.9 cm) SIDE PANELS

